

Bohrhilfe

Drilling aid

R8 / R6
K



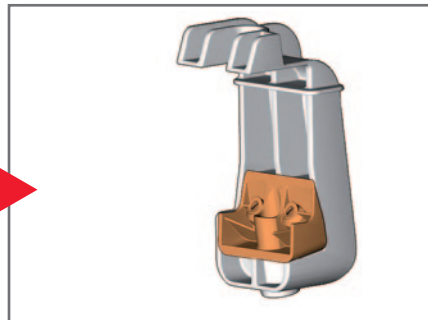
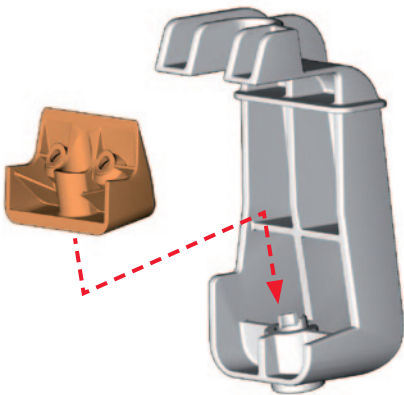
R8 / R6
H



+



+



R8 / R6
K / H

